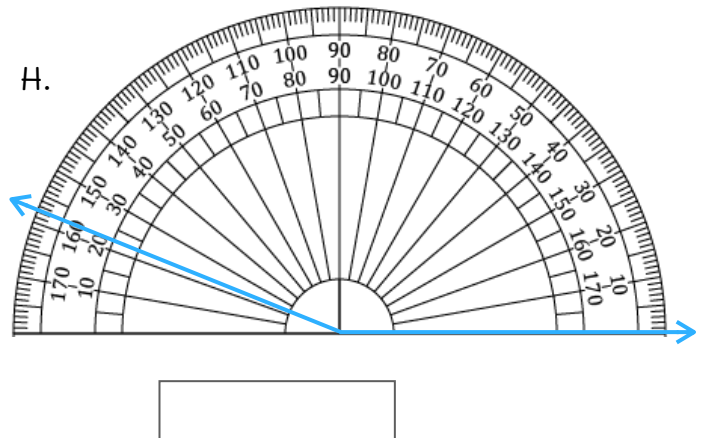
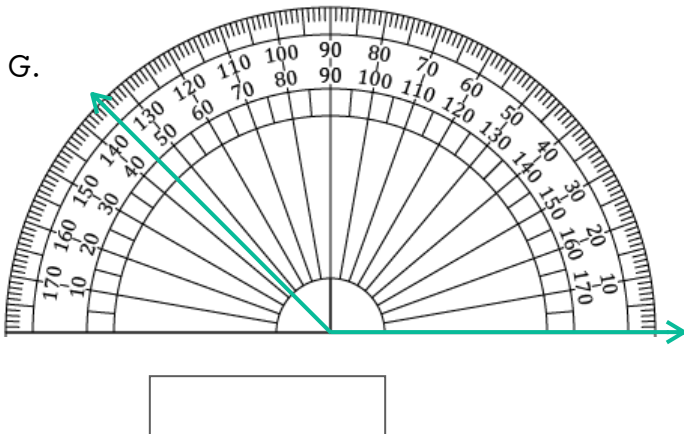
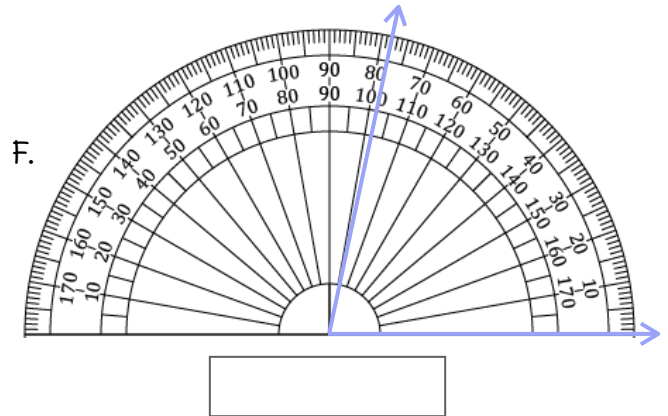
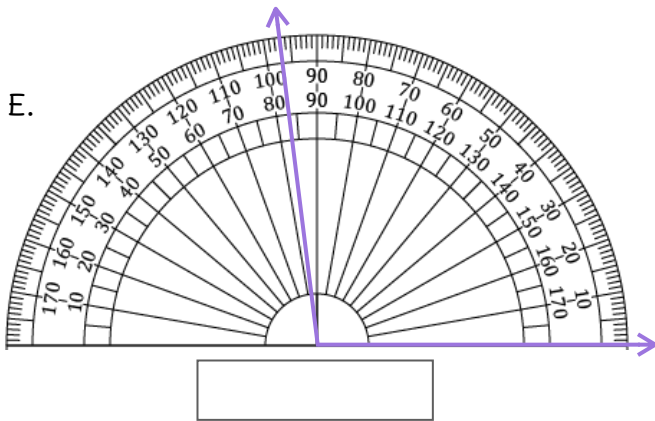
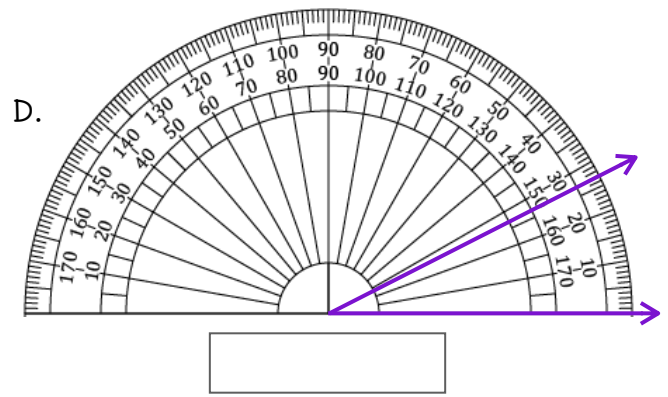
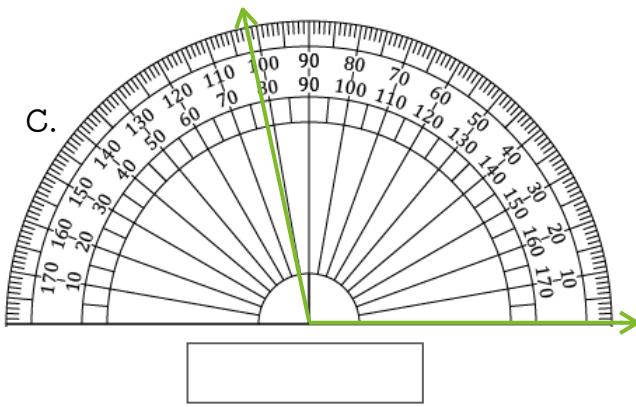
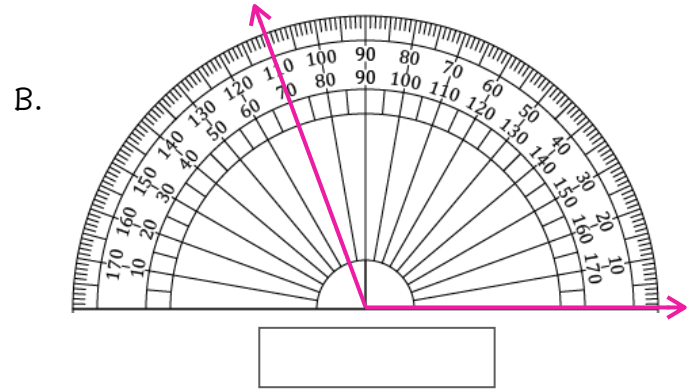
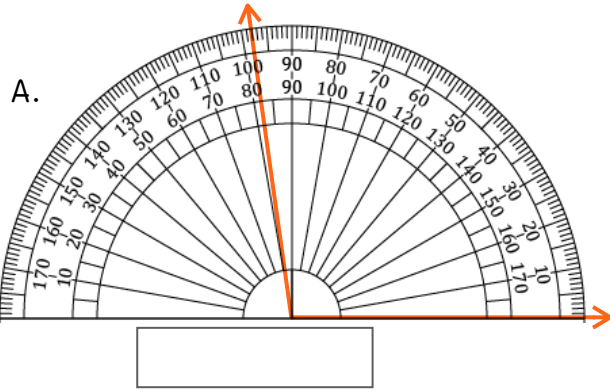


Name: _____

Date: _____

Geometry

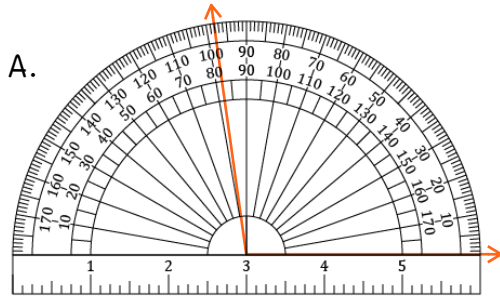
Read the protractor and write the correct angle.



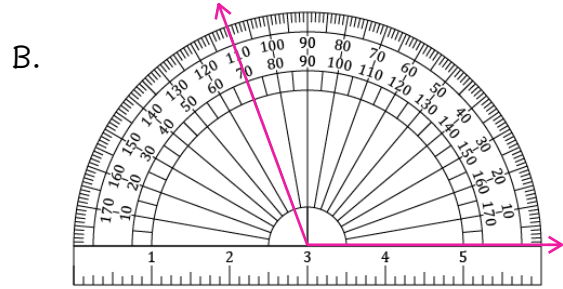
Geometry

Read the protractor and write the correct angle.

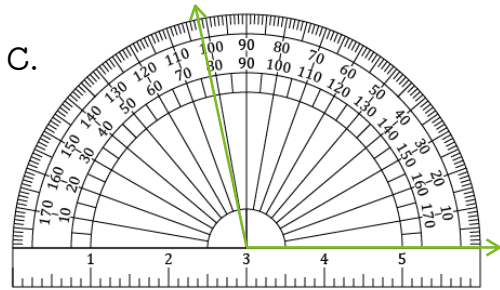
Answer Key



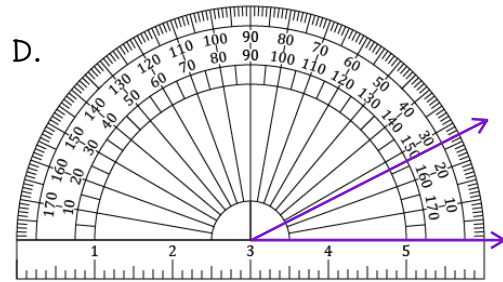
98°



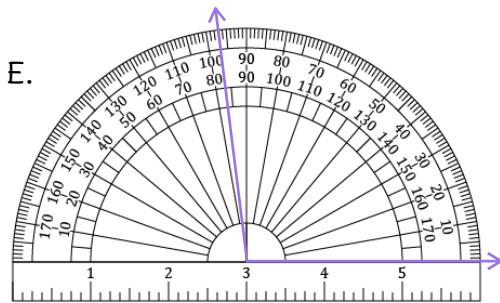
110°



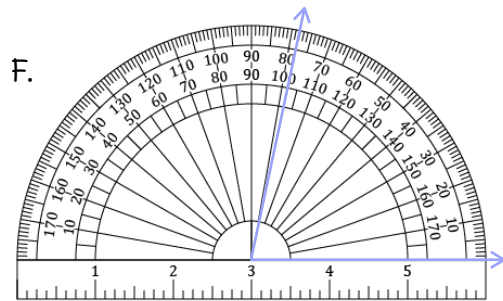
103°



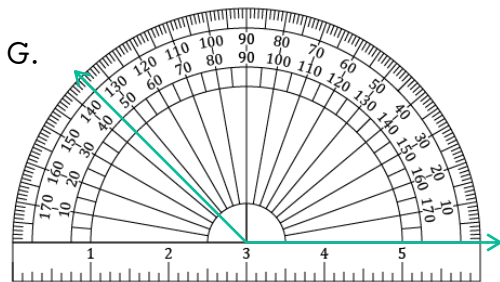
27°



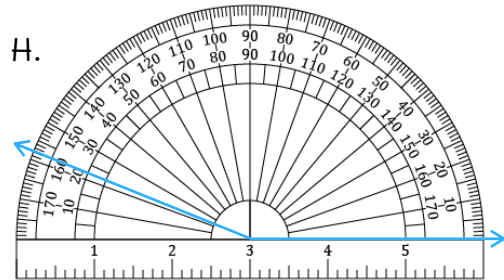
97°



78°



135°



158°